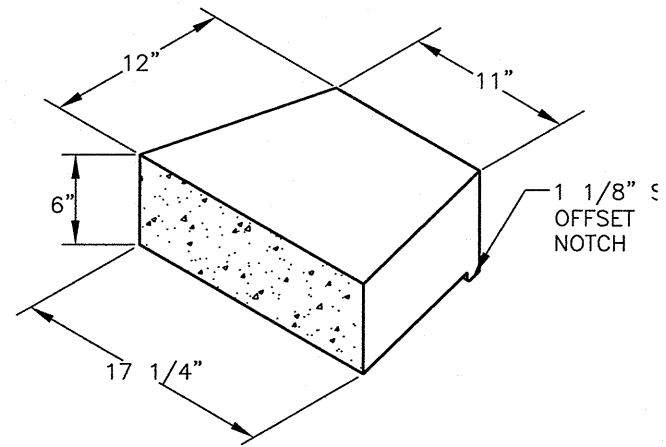
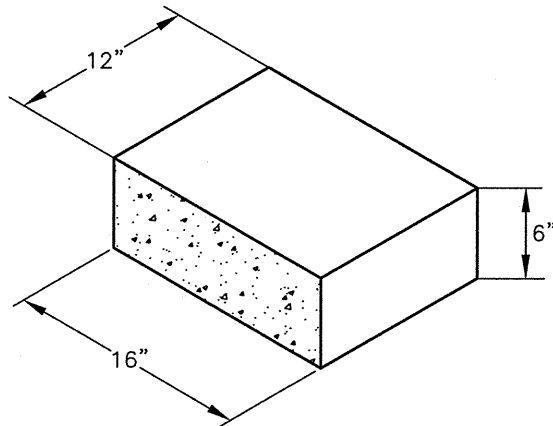


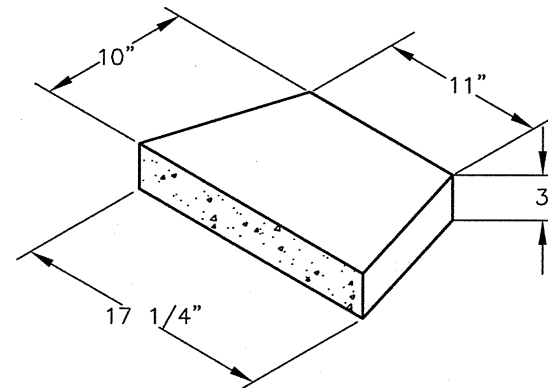
BEVELED UNIT



STRAIGHT UNIT



STEP UNIT



CAP UNIT



These graphical representations are intended for preliminary design purposes only, and are not to be used for construction without the signature of a registered professional engineer.

All information herein © 2005 Anchor Wall Systems

Drawn By: AWS
Date: 4/26/2005
Scale: NTS

Drawing Title: ANCHOR DIAMOND ISOMETRIC BLOCK VIEWS
Project Information: ANCHOR RETAINING WALL SYSTEMS TYPICAL WALL DETAILS