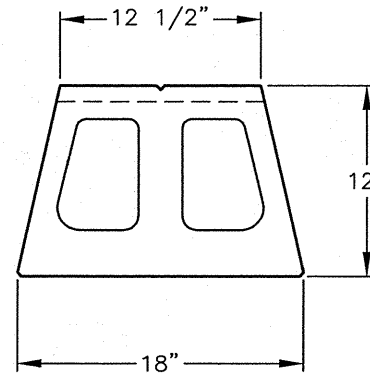
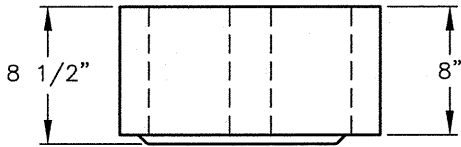


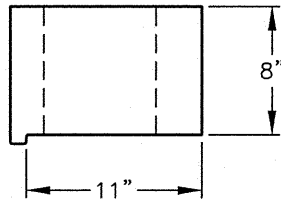
TOP VIEW



TOP VIEW

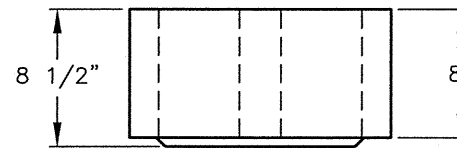


FRONT VIEW

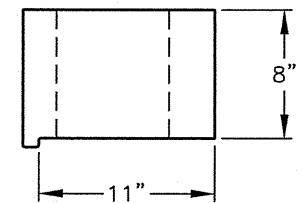


SIDE VIEW

**BEVELED UNITS**



FRONT VIEW



SIDE VIEW

**STRAIGHT UNITS**



These graphical representations are intended for preliminary design purposes only, and are not to be used for construction without the signature of a registered professional engineer.

All information herein © 2005 Anchor Wall Systems

Drawn By: AWS  
Date: 4/26/2005  
Scale: NTS

Drawing Title: ANCHOR DIAMOND PRO TRI-PLANE BLOCK VIEWS  
Project Information: ANCHOR RETAINING WALL SYSTEMS TYPICAL WALL DETAILS