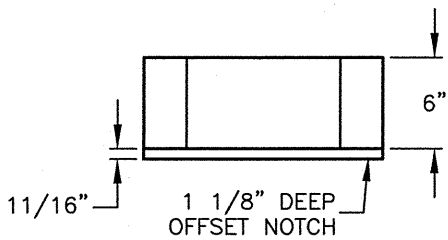
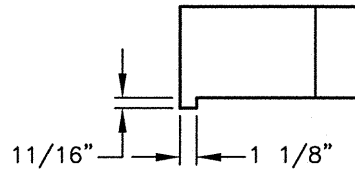


TOP VIEW

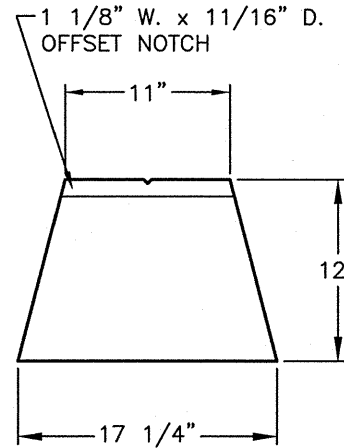


FACE VIEW

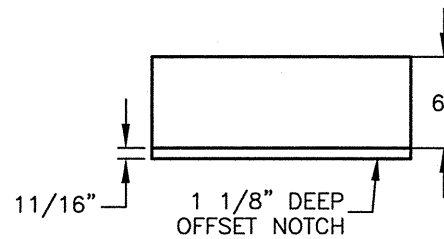


SIDE VIEW

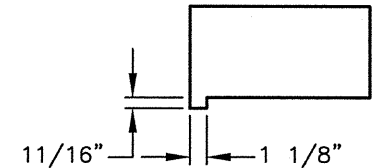
BEVELED UNIT



TOP VIEW



FACE VIEW



SIDE VIEW

STRAIGHT UNIT



These graphical representations are intended for preliminary design purposes only, and are not to be used for construction without the signature of a registered professional engineer.

All information herein © 2005 Anchor Wall Systems

Drawn By: AWS
Date: 4/26/2005
Scale: NTS

Drawing Title: ANCHOR DIAMOND TRI-PLANE BLOCK VIEWS
Project Information: ANCHOR RETAINING WALL SYSTEMS TYPICAL WALL DETAILS